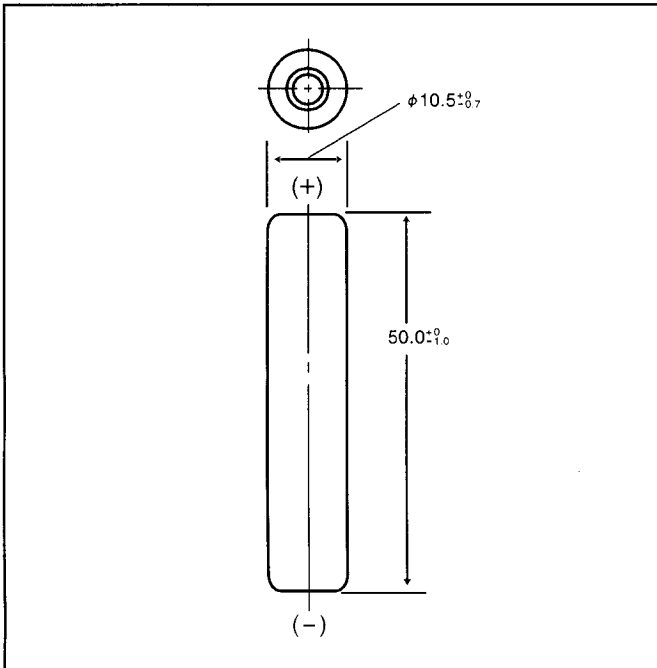


INDIVIDUAL DATA SHEET

HHR70AAA Cylindrical L-AAA size

Dimensions (with Tube) (mm)



Specifications

Diameter	10.5 +0 / -0.7 mm
Height	50.0 +0 / -1.0 mm
Approximate Weight	15g

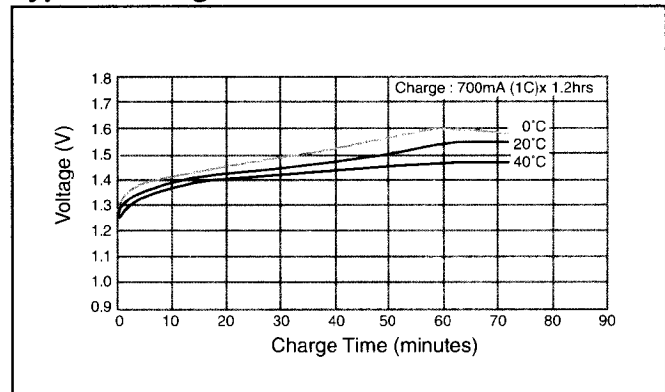
Nominal Voltage		1.2V	
Discharge Capacity*	Average**	740mAh	
	Rated (Min.)	700mAh	
Approx. Internal impedance at 1000Hz at charged state.		30mΩ	
Charge	Standard	70mA (0.1C)x 16hrs.	
	Rapid	700mA (1C)x 1.2hrs.	
Ambient Temperature	Charge	Standard	0°C to 45°C
		Rapid	0°C to 40°C
	Discharge	-10°C to 65°C	
Storage	< 1 year	-20°C to 35°C	
	< 3 months	-20°C to 45°C	
	< 1 month	-20°C to 55°C	

* After charging at 0.1C for 16 hours, discharging at 0.2C.

** For reference only.

Battery performance and cycle life are strongly affected by how they are used. In order to maximize battery safety, please consult Panasonic when determining charge / discharge specs, warning label contents and unit design.

Typical Charge Characteristics



Typical Discharge Characteristics

