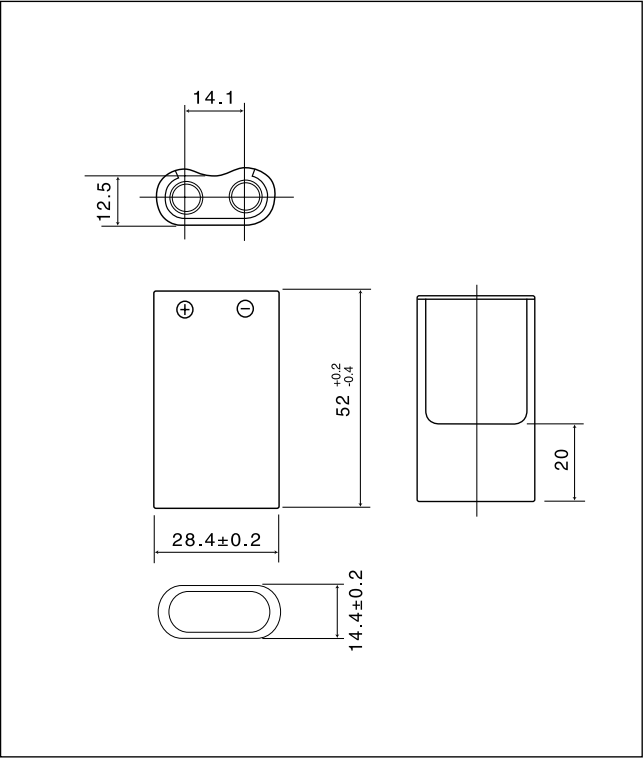


# CR-V3

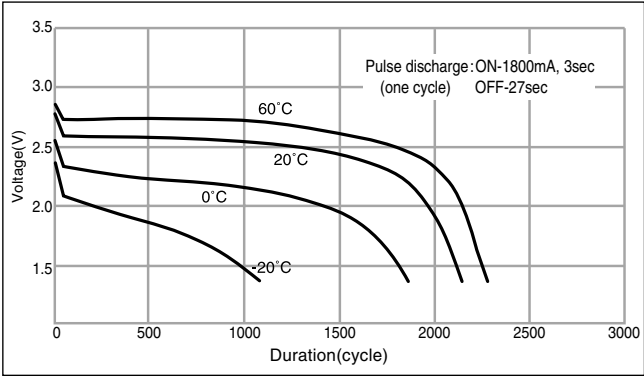
■ Dimensions(mm)



■ Specification

Nominal voltage(V)	3
Nominal capacity(mAh)	3,300
Continuous drain(mA)	200
Operating temperature(°C)	-40 to +70*

■ Discharge temperature characteristics



\* Please consult Panasonic for use below and above -20°C to +60°C.

\* The data in this document are for descriptive purposes only and are not intended to make or imply any guarantee or warranty.