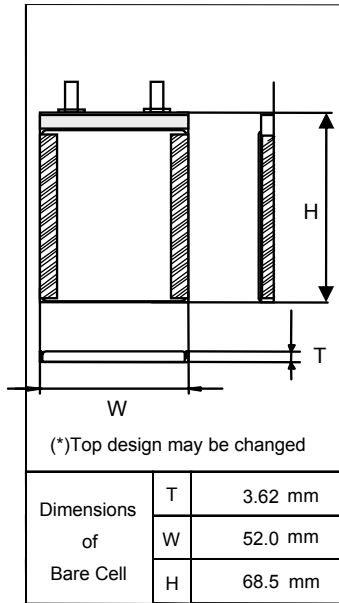




Cell Type UPF385269

Specifications

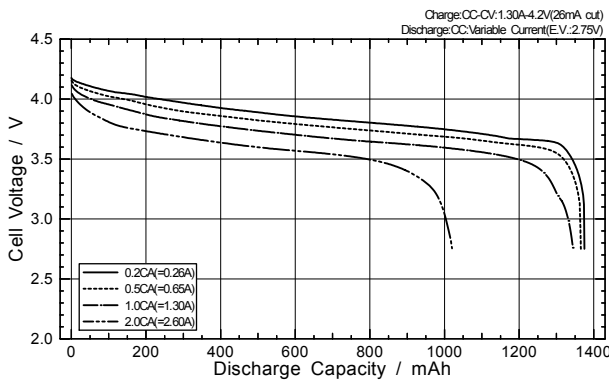


Nominal Capacity		1300mAh
Typical Capacity		1350mAh
Nominal Voltage		3.7V
Charging Method		Constant Current -Constant Voltage
Charging Voltage		4.2V
Charging Current		Std. 1300mA
Charging Time		2.5hrs.
Ambient Temperature	Charge	0 ~ +40deg.C
	Discharge	-20 ~ +60deg.C
	Storage	-20 ~ +60deg.C
Weight (Approx.)		28.5g
Dimensions (w/o tube, Max.)	(T) *	3.72mm
	(W)	52.0mm
	(H)	68.5mm
Volumetric Energy Density		363Wh/l
Gravimetric Energy Density		168Wh/kg

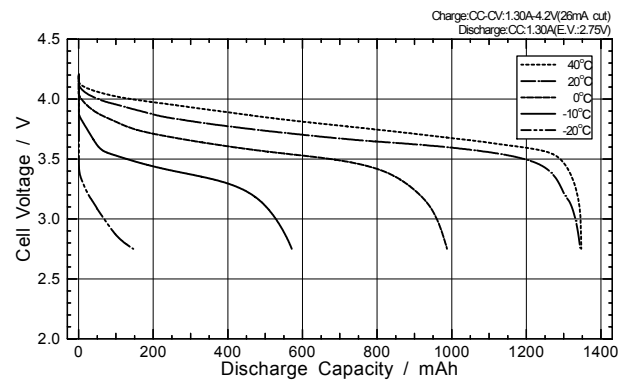
* Delivery state

Typical Characteristics

Discharge rate characteristics



Discharge temperature characteristics



Charge characteristics

